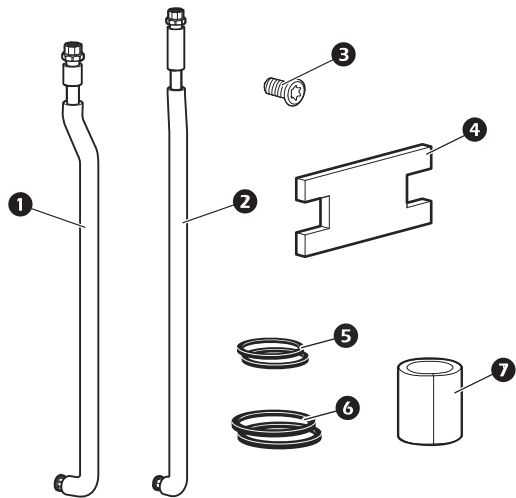


# Upper Piping Kit for ACRC301H—Installation

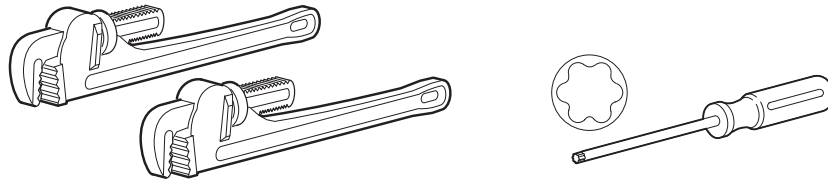
## ACAC10033

### Inventory



Item	Description	Quantity
1	Outlet pipe	1
2	Inlet pipe	1
3	M6 × 12 screw	4
4	Pipe clamp insulation	2
5	Gasket, unit	2
6	Gasket, client connection	2
7	Insulation	2

### Tools Required



### Safety

**⚠️⚠️ DANGER**

**HAZARD OF ELECTRIC SHOCK, EXPLOSION, OR ARC FLASH**

Turn off all electrical power before working on or near this equipment.

**Failure to follow these instructions will result in death or serious injury.**

**⚠️ CAUTION**

**SHARP EDGES**

Wear protective gloves during assembly.

**Failure to follow these instructions can result in minor or moderate injury**

**⚠️ WARNING**

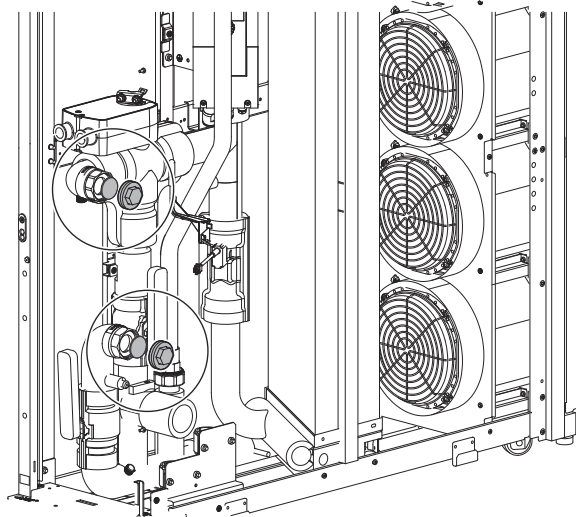
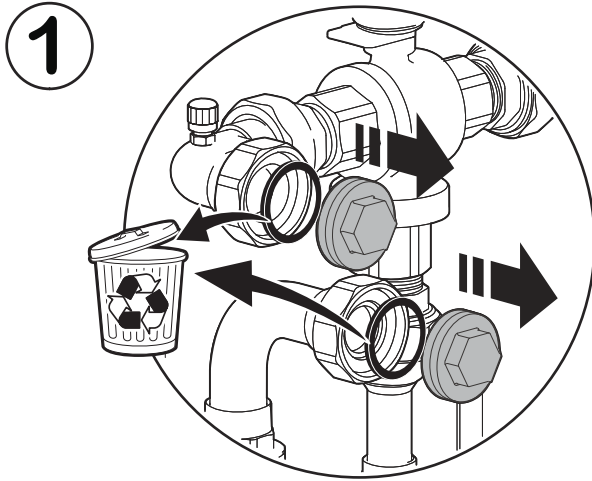
**TIP HAZARD**

Risk of tip hazard during assembly. Be sure to secure unit or use two people during the assembly process.

**Failure to follow these instructions can result in death or serious injury.**

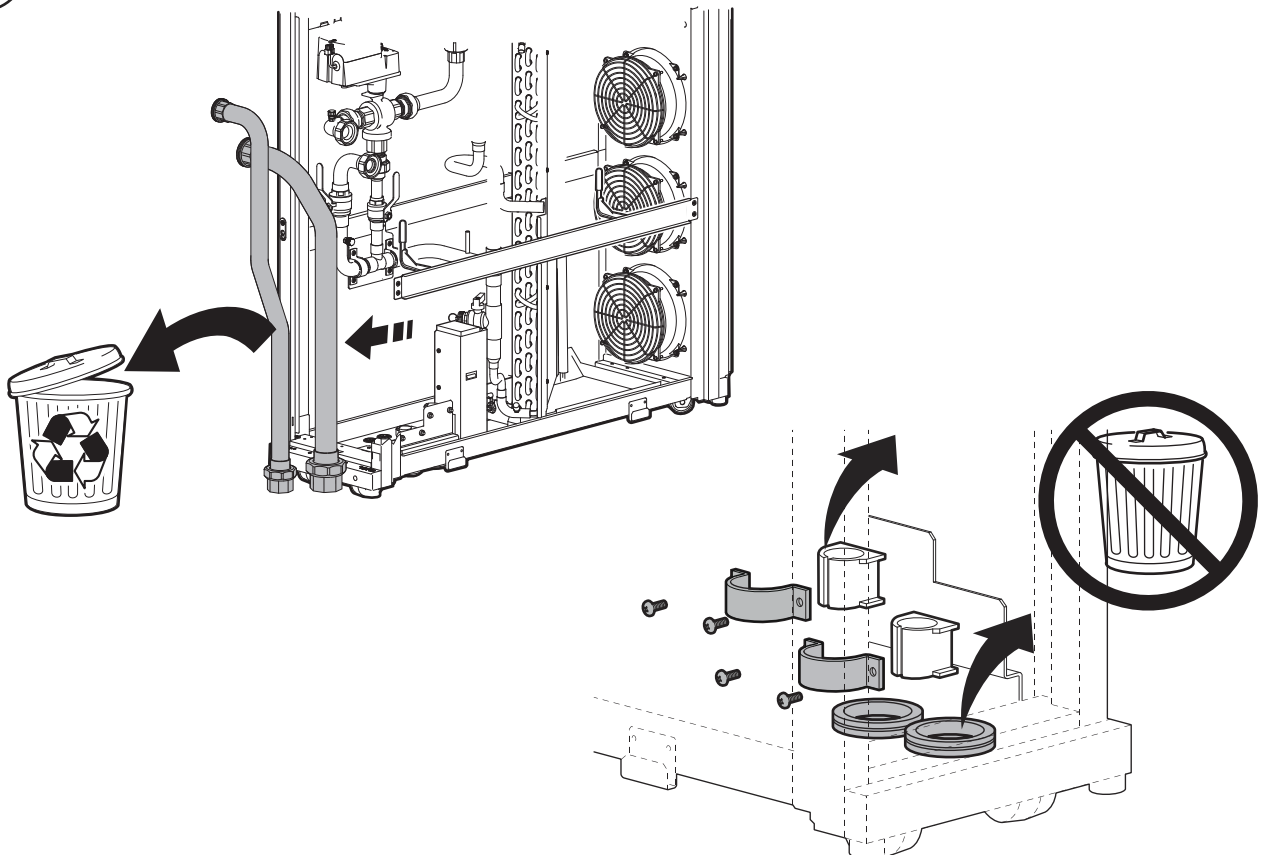
# Installation

**NOTE:** Some parts not shown for better visibility of the installation process.

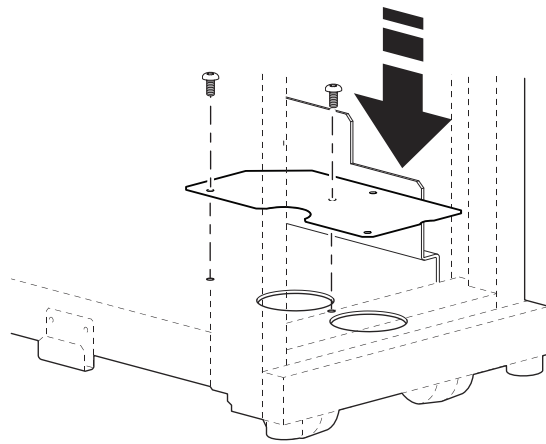
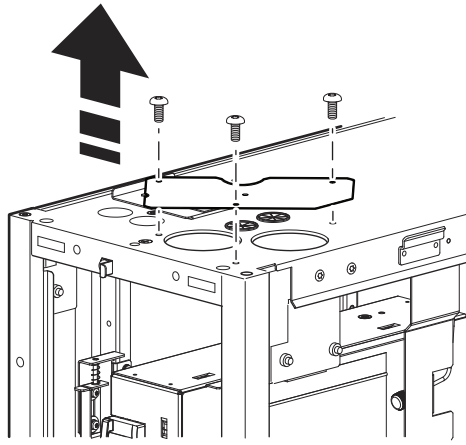


RIGHT-REAR OF UNIT

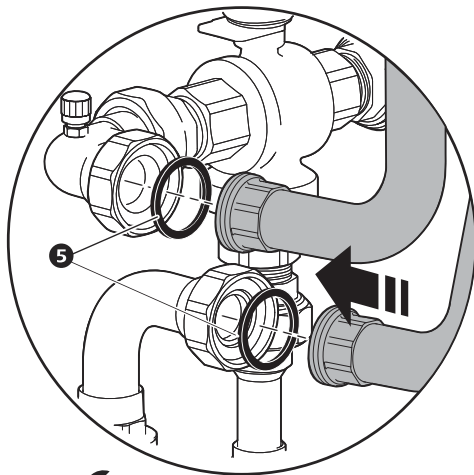
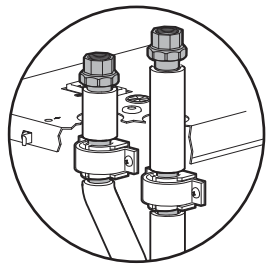
2



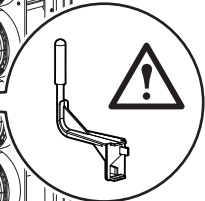
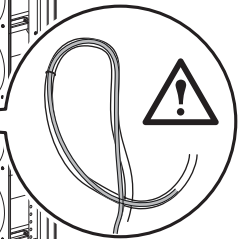
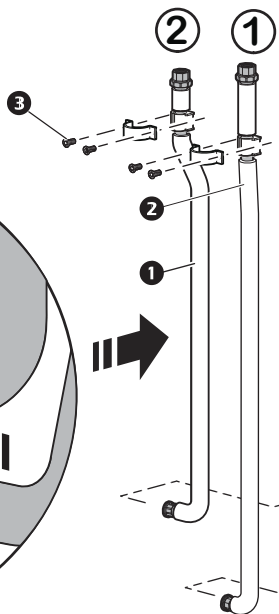
3



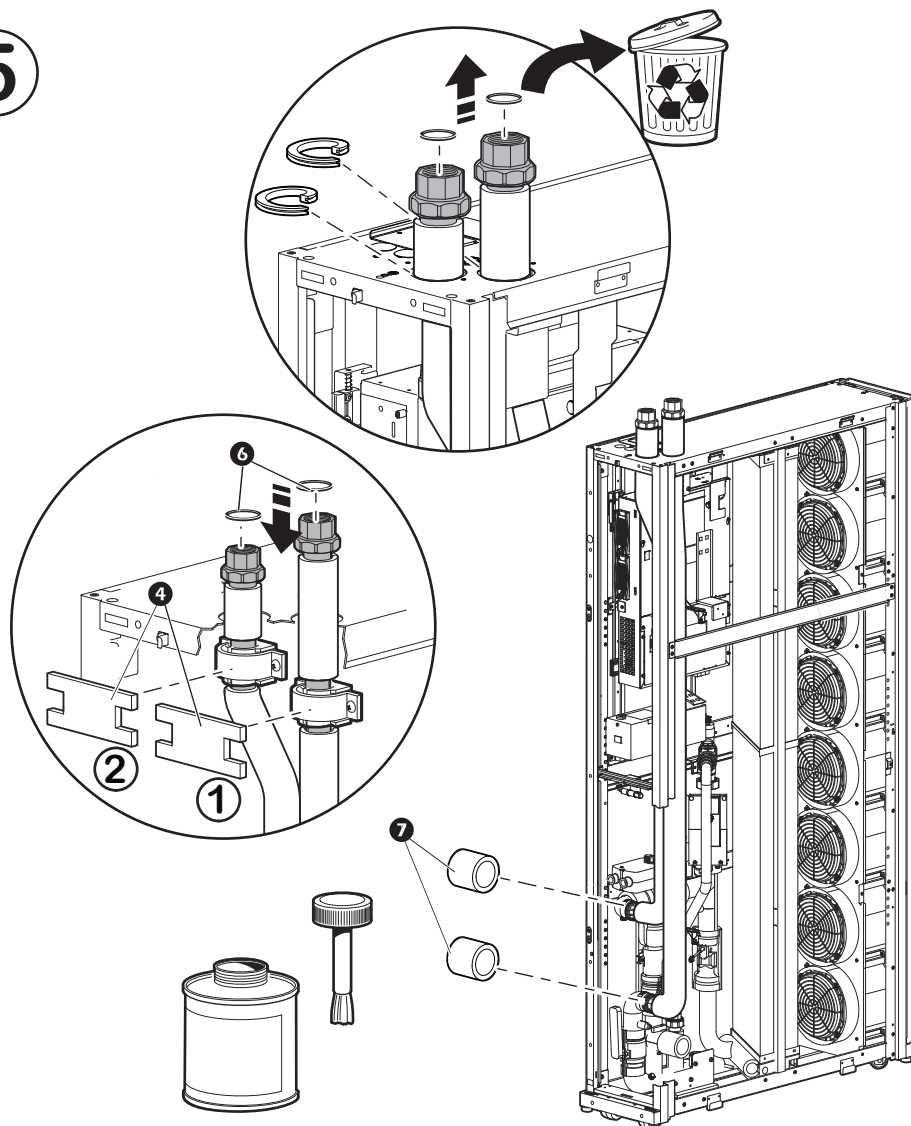
4



40 Nm (29 ft/lbs)



5



Adhesive 690-0137



Refer to the manuals that come with your equipment for further installation instructions.

Customer support and warranty information is available at the APC Web site, [www.apc.com](http://www.apc.com).

© Schneider Electric, APC and the APC logo are owned by Schneider Electric Industries S.A.S., or its affiliated companies. All other trademarks are property of their respective owners.

990-5097A  
1/2013